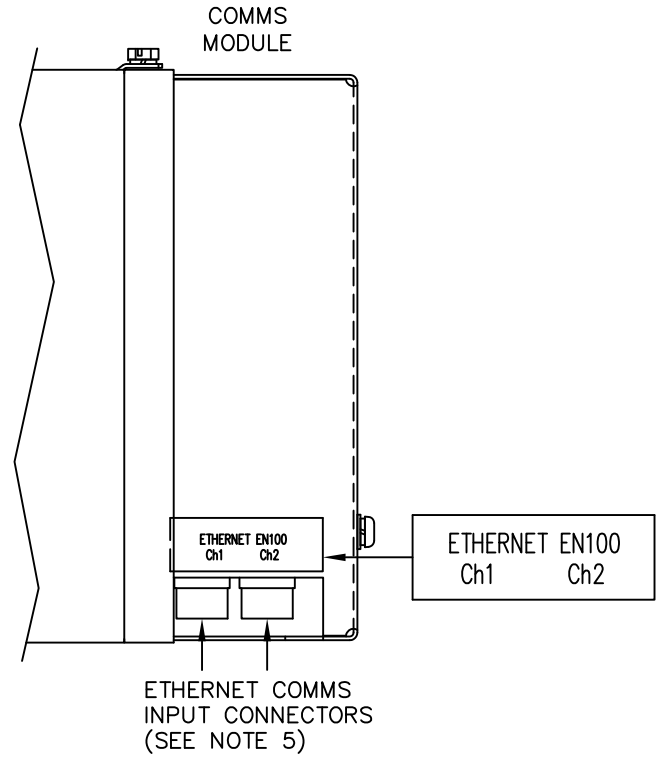
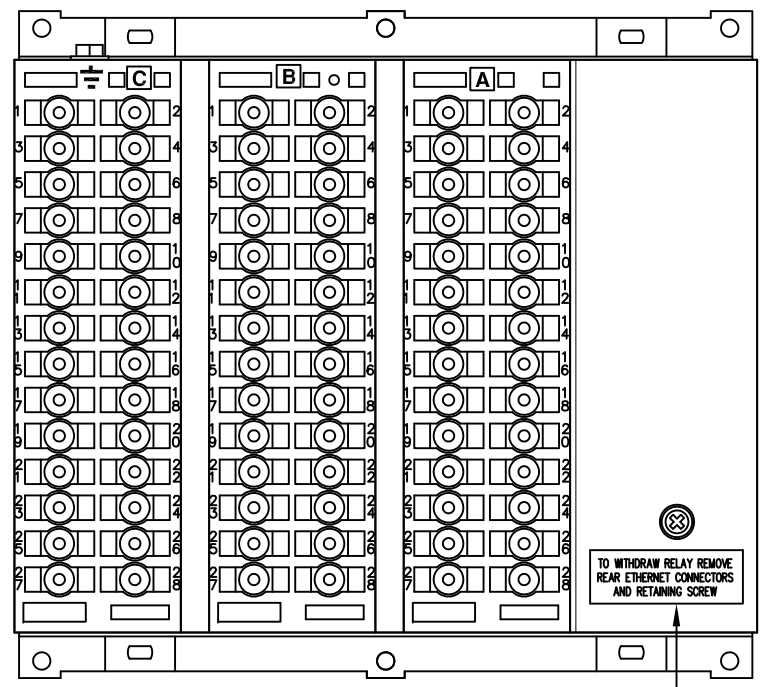


IF IN DOUBT ASK  
DO NOT SCALE



- NOTES**
- 1) TERMINALS RECOMMENDED ARE PRE-INSULATED & MUST BE CRIMPED USING APPROVED TOOLING. AMP PIDG OR PLASTI GRIP FUNNEL ENTRY (RING TONGUE) FOR M4 FIXING STUD.
  - 2) FOR OUTLINE & PANEL DRILLING, SEE 2995X10020 (A4).
  - 3) CONNECTIONS TO THIS COMMUNICATIONS FACILITY IS BY SCREENED, TWISTED PAIR CABLE, ON SITE. WHEN WIRING OTHER FACILITIES ENSURE THAT THESE TERMINALS ARE NOT OBSCURED BY OTHER WIRE RUNS.
  - 4) CONTACTS SHOWN THUS ARE INTERNAL RELAY CASE ASSEMBLY AND CLOSE WHEN THE RELAY CHASSIS IS WITHDRAWN FROM THE CASE.
  - 5) THE ETHERNET PORTS CAN BE EITHER - FIBRE OPTIC(x2) OR ELECTRICAL(x2)

SUPPLIER	PART NUMBER	CABLE SIZE
AMP	342103	0.25-1.6mm <sup>2</sup>
AMP	342143	1.0-2.6mm <sup>2</sup>

OR ANY OTHER MANUFACTURERS EQUIVALENT TERMINAL.

NOT SUBJECT TO UPDATE  
ONCE COPIED / PRINTED  
OR DOWNLOADED

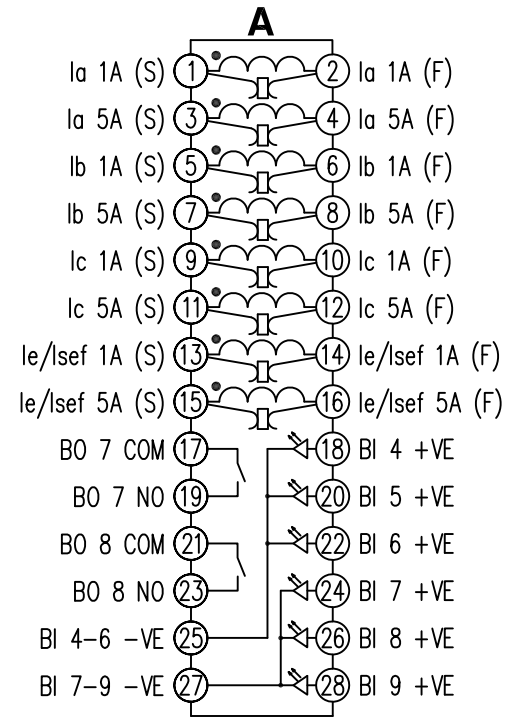
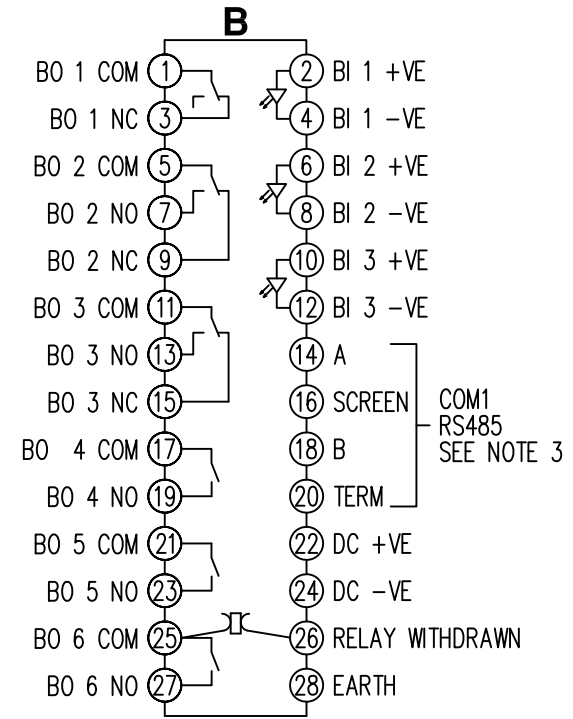
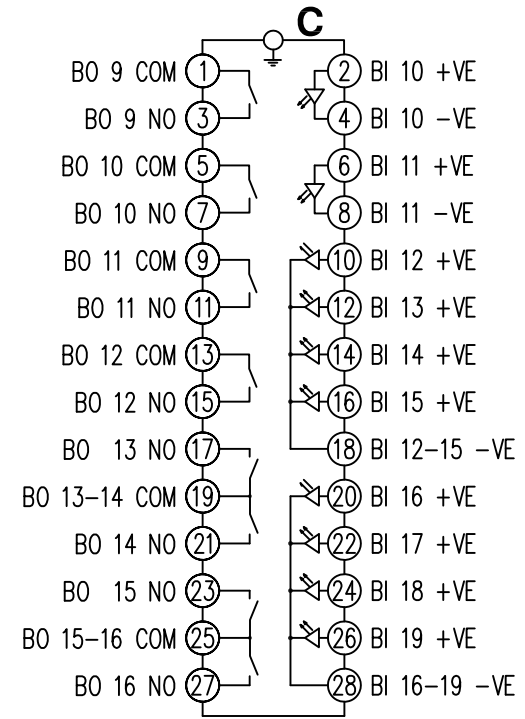
RELAY VIEWED FROM REAR

TO WITHDRAW RELAY REMOVE REAR ETHERNET CONNECTORS AND RETAINING SCREW

ETHERNET COMMS INPUT CONNECTORS (SEE NOTE 5)

ABBREVIATIONS	
I-	CURRENT INPUTS
BI-	BINARY INPUTS
BO-	BINARY OUTPUTS
CO-	CHANGE OVER BINARY OUTPUT CONTACTS
NO-	NORMALLY OPEN BINARY OUTPUT CONTACTS
NC-	NORMALLY CLOSED BINARY OUTPUT CONTACTS

COMMUNICATIONS IDENTIFICATION	
COM1	RS485 (ON BLOCK 'B' TERMINALS 14,16,18 & 20)
COM2	USB TYPE'B' PORT (ON RELAY FRONT LABEL)
COM3	ETHERNET(x2) PORTS (ON REAR COMMS MODULE)



**MATERIAL:**

Dimensions in millimetres : Surface texture in micrometres.  
Machine where marked ✓  
For explanation of dimensions, tolerances, notes etc. see B.S.308.  
Limit on untoleranced unmachined dimensions ± \_\_\_\_\_  
Limits on untoleranced machined dimensions to B.S.4500;  
i.e. up to 6±0.1; over 30 to 120±0.3; over 315±0.8;  
over 6 to 30±0.2; over 120 to 315±0.5;  
General unmachined angular tolerance ± \_\_\_\_\_

Finish: \_\_\_\_\_  
Treatment: \_\_\_\_\_

Title:  
7SR210, E8, TERMINAL ID & WIRING DIAGRAM  
4I,19BI,2CO,13NO,1NC, RS485, ETHERNET(x2) COMMS

**SIEMENS PROTECTION DEVICES LTD.**

Original Scale:  
NTS

First used on: \_\_\_\_\_  
Similar Articles: \_\_\_\_\_  
Supersedes: \_\_\_\_\_  
Drg. No.  
**2435W40070**

1	10/08/10	CHANGE
ISSUE	DATE	NOTED

Copyright © 2010 Siemens Protection Devices Ltd. Hebburn